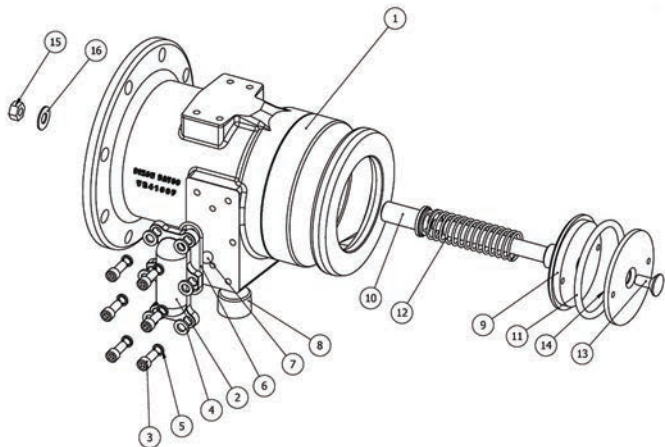


VR4100F Series Vapor Hose Valves



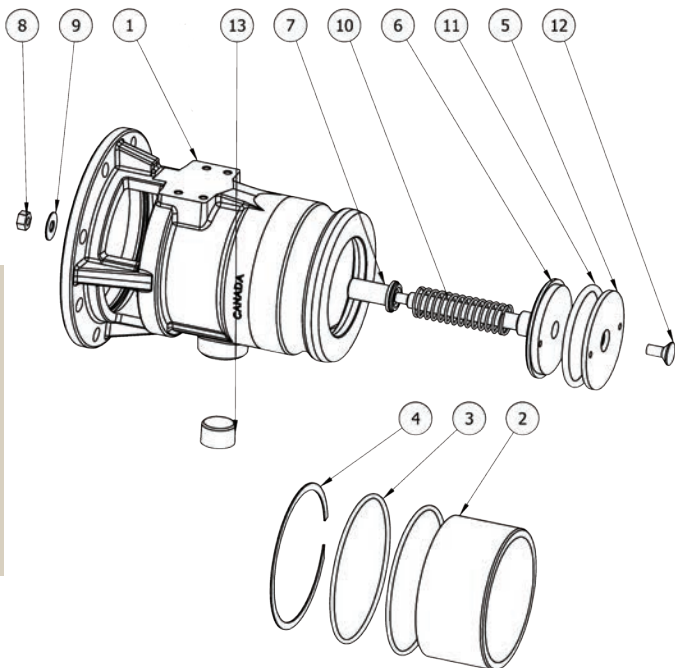
Bill of Materials

Item #	Description	Part #	Qty
1	body	---	1
2	sight glass	111575	1
3	sight glass bolts	111570	6
4	sight glass washer	111562	4
5	sight glass lock washer	111569	6
6	sight glass O-ring	111733	1
7	sight glass float ball	111572	1
8	3/4" body plug	112044	1
9	valve	341827	1
10	bushing	VR6000-3	1
11	FKM valve O-ring	O-RING-AS-334	1
12	valve spring	SPRING-L5123	1
13	screw	SC5-16NCX.75FSS	1
14	valve plate	VR4100-3	1
15	washer	112271	1
16	nut	112270	1

Repair Kits

Part #	Description	Includes Item #
5204K8	sight glass, O-ring, float ball	2, 6, 7
5204K12	hex bolts (6), lock washers (6), washers (4) kit	3, 4, 5

VR4100F-SFI Series Vapor Hose Valves



Petroleum
Replacement Parts

Bill of Materials

Item #	Description	Part #	Qty
1	body	---	1
2	sight glass	391855	1
3	Baylast O-ring	112280	2
4	retaining ring	112281	1
5	plate	VR4100-3	1
6	poppet valve	341827	1
7	poppet bushing	VR6000-3	1
8	nut	112271	1
9	washer	112270	1
10	valve spring	SPRING-L5123	1
11	FKM O-ring	O-RING-AS-334	1
12	screw	SC5-16NCX.75FSS	1
13	3/4" drain plug	112044	1

Repair Kit

Part #	Description	Includes Item #
VR4100F-SFIRK	sight glass kit	2, 3, 4

Product instruction sheets and technical data can be viewed on our website at dixongroupcanada.com by selecting the 'Resources' menu.