

Maintenance & Operating Instructions

For Dixon Bayco

FT150S SERIES REPLACEMENT SST THERMO-OPTIC OVERFILL PROBE

FT191S 3" NPSM SST PROBE HOLDER

FT155 ELECTRONIC 5 CHANNEL DUMMY

For Sales and Service Contact

Europe:
Dixon Group Europe Ltd.
Preston, England
Phone: +44 (0) 1772 323529
Fax: +44 (0) 1772 314664
Email: enquiries@dixoneurope.co.uk

Mexico:
Dixva, S. de R.L. de C.V.
Monterrey, N.L.
Phone: 01-800-00-DIXON (34966)
Fax: 01-81-8354-8197
E-mail: contactenos@dixonvalve.com.mx

Canada:
Dixon Group Canada Limited
Innisfil (Barrie), Ontario
Phone: 705-436-1125
Fax: 705-436-6251
Toll Free: 877-963-4966
E-mail: isales@dixongroupcanada.com

Asia Pacific:
Dixon (Asia Pacific) Pty Ltd Wingfield, South
Australia
Phone: +61 8 8202 6000
Fax: +61 8 8202 6099
E-mail: enquiries@dixonvalve.com.au

USA:
Dixon Bayco USA
Chestertown, Maryland
Phone: 410-778-2000
Fax: 410-778-4702
Toll Free: 800-355-1991
E-mail: dixonbayco@dixonvalve.com



The Right Connection®

dixonvalve.com

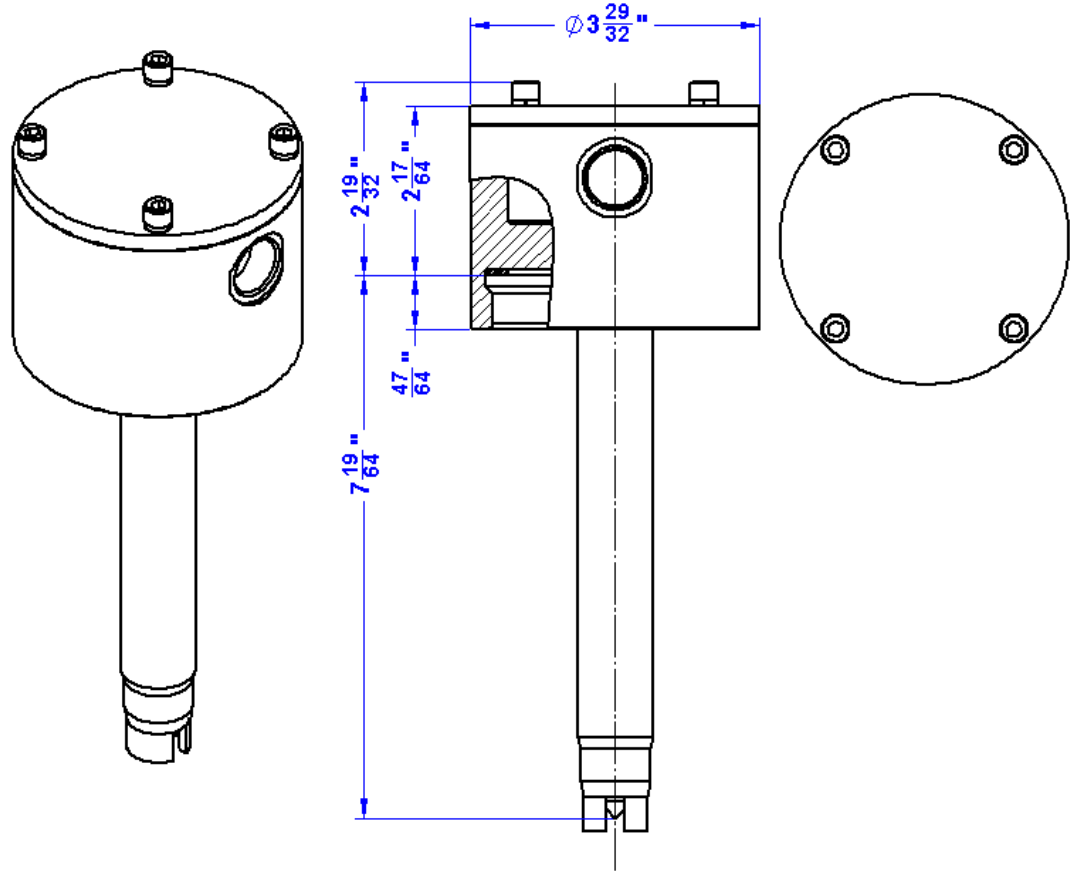
FloTech Thermo-Optic sensor and Thermistor Dummy are mechanically and functionally compatible with Scully Thermistor, Thermo-Optic and Thermistor Dummy components. These “Electronic” Thermistor sensors will provide reliable operation when installed as replacements to conventional “Green Tipped” Thermistor sensors. FloTech Thermo-Optic sensors and electronic dummy provide high reliability, long life, and quick start up in cold weather.

INSTALLATION INSTRUCTIONS:

FloTech model FT191S can be mounted on a 3”NPT male pipe nipple. After the sensor is mounted remove the lid.

To adjust sensor length, use $\frac{3}{4}$ ” NPT pipe nipples cut and threaded to desired length. Use Teflon pipe dope or pink Teflon tape to seal the threads.

IMPORTANT: The actual sensing point adjustment should be determined by the total response time required to prevent a tank overfill condition. The FloTech sensor reaction time is one half second. The loading rack will also have a reaction time.



WIRING INSTRUCTIONS:

It is highly recommended to use FloTech FT400 jacketed 5-conductor cable when wiring a new system. FloTech cable is designed to be oil, UV, and abrasion resistant. We incorporate a noble tin plated stranded copper wire which resist corrosion. These features will provide years of reliable service.

After all sensors are mounted in each compartment, align the conduit openings so they face the roll over rail. Thread in cable glands and pull a length of cable through the conduit openings between each sensor. Cut to length leaving approximately 8 inches extra length exiting the top of each probe holder.

All sensor wires must enter or leave the probe holder through one of the ½ NPT openings. Use FloTech FT402 ½ NPT cable glands to ensure a water tight seal. Unused conduit openings must

have a ½ NPT pipe plug installed. Use pipe dope on all ½ NPT threads to ensure a water tight seal.

Wire the sensor according to diagram F1 below. Double check your wiring connection when complete. NOTE: It is highly recommended to use a small amount of Silicone RTV sealant in each crimp connection. Fill the FloTech butt end crimps with Silicone RTV sealant prior to inserting the wires then crimp. This will provide a watertight and vibration resistant connection.

When wiring is complete, replace each sensor lid and o-ring. CAUTION: Do not pinch a sensor wire when installing the lid.

