

Dixon® Industrial Sight Flow Indicators

Dixon engineered industrial sight flow indicators are designed for fluid processes. These indicators are used to view the material flow direction, color, and clarity. Various sizes, indicator types, and seals are available to cover many typical industrial fluid applications.



Features

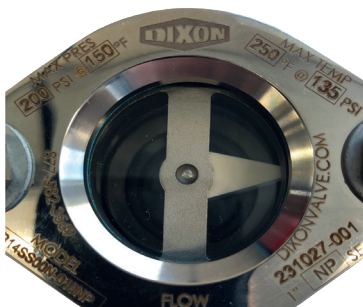
- O-ring lens seal for leak-free operation
- Maintenance-free design
- Easy to install

Indicator Types

Propeller: standard, unidirectional flow



Flapper: Bi-directional, shows direction of flow



Indicator Types

Plain: no indicator, use for color and transparency of liquid, bi-directional flow



Materials

- Indicator Materials: Delrin, Ryton, or PTFE
- Body Material: 316 stainless steel
- Glass: Tempered Borosilicate
- Seal Materials: Neoprene (14-Series standard), Fluorocarbon (15-Series standard), nitrile rubber, PTFE
- Connections: ASME B1.20 FNPT or ASME B16.5 150# Flange

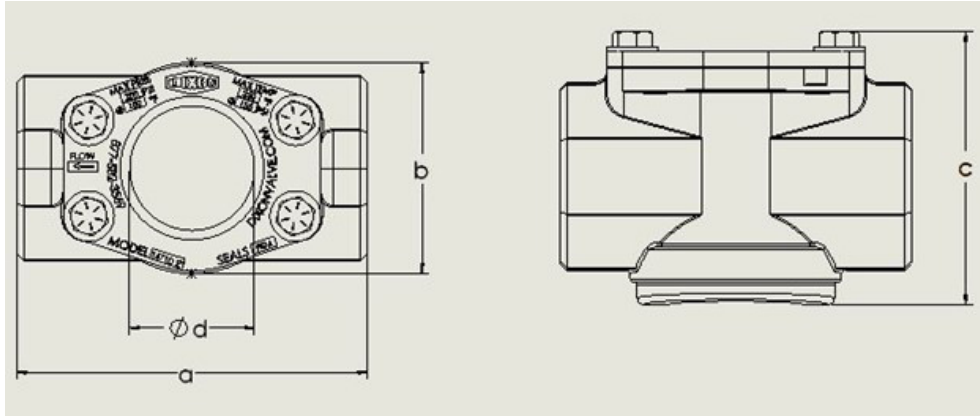
Pressure and Temperature Ratings

Series	Max Pressure	Max Temperature
14-Series	200 PSIG @ 150°F	250°F @ 135 PSIG
15-Series	400 PSIG @ 150°F	400°F @ 160 PSIG

Seal/Indicator Operating Temperature Ratings

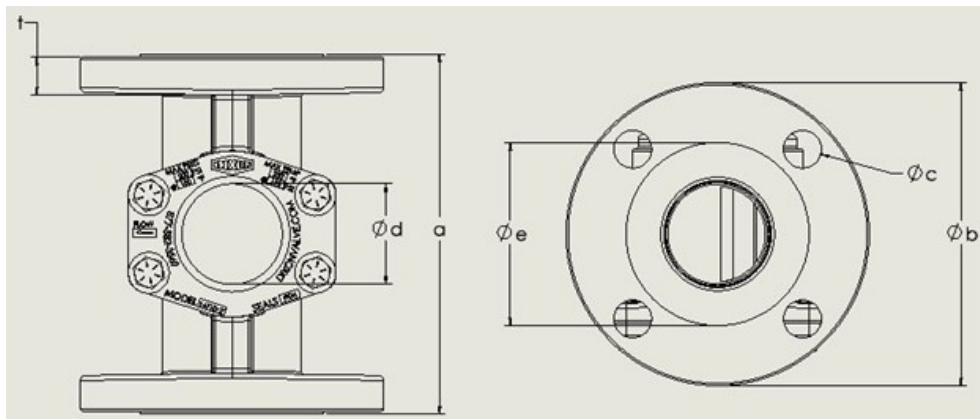
Material	Degrees F	Degrees C
Neoprene (14-Series standard)	-20 to 250	-29 to 121
Fluorocarbon (15-Series standard)	-20 to 400	-29 to 204
Nitrile rubber	-20 to 212	-29 to 100
Delrin	-40 to 250	-40 to 121
Ryton	-40 to 450	-40 to 232
PTFE	-40 to 400	-40 to 204

Dimensions



NPT Version

	1/2"		3/4"		1"		1-1/2"		2"	
	mm	in	mm	in	mm	in	mm	in	mm	in
Overall length (a)	93	3.7	108	4.2	108	4.2	142	5.6	142	5.6
Overall width (b)	54	2.1	69	2.7	69	2.7	86	3.4	86	3.4
Overall height (c)	62	2.4	81	3.2	81	3.2	111	4.4	111	4.4
Sight opening diameter (d)	29	1.1	38	1.5	38	1.5	51	2.0	51	2.0
Total weight (kg/lbs.)	0.64 / 1.4		1.3 / 2.9		1.2 / 2.7		3.5 / 7.7		2.9 / 6.4	



Flanged Version

	1/2"		3/4"		1"		1-1/2"		2"	
	mm	in.	mm	in.	mm	in.	mm	in.	mm	in.
Overall Length (a)	148	5.8	119	4.7	119	4.7	167	6.6	167	6.6
Flange Dia (b)	89	3.5	99	3.9	108	4.3	127	5.0	152	6.0
#Bolt	(4)	(4)	(4)	(4)	(4)	(4)	(4)	(4)	(4)	(4)
Bolt Hole Size	16	0.6	16	0.6	16	0.6	16	0.6	19	0.7
Sight Opening Dia (d)	29	1.1	38	1.5	38	1.5	51	2.0	51	2.0
Raised Face Dia (e)	35	1.4	43	1.7	51	2.0	73	2.9	92	3.6
Flange Thickness (t)	11	0.4	13	0.5	14	0.6	17	0.7	19	0.8
Total Weight (kg/lbs.)	1.7 / 3.9		2.5 / 5.4		2.9 / 6.4		5.1 / 11.2		6.9 / 15.1	

Part Number Key

Sight Flow Indicator		DB	Series	Housing	Indicator Type	Indicator Material	Connection Type	Size of Fitting	Seal Material
			14-15	SS	0-2	D-T-R	N-F	005-020	NR-KR
Series	Code								
Standard	14								
High Pressure/ Temp	15								
Housing Material	Code								
316 Stainless	SS								
Indicator Type	Code								
Plain	0								
Propeller	1								
Flapper	2								
Indicator Material	Code								
Delrin®	D								
Ryton	R								
PTFE	T								
Connection Type	Code								
NPT	N								
Flanged (150#)	F								
Size of Fitting	Code								
1/2"	005								
3/4"	007								
1"	010								
1-1/2"	015								
2"	020								
Seal Material	Code								
Nitrile rubber	NR								
Neoprene	NP								
FKM	VI								
PTFE Encapsulated Silicone	TS								
EPDM*	EP								
FFKM*	KR								

*Special order only

Limited Warranty

DIXON VALVE AND COUPLING COMPANY, LLC (herein called "Dixon") warrants the products described herein and manufactured by Dixon to be free from defects in material and workmanship for a period of one (1) year from date of shipment by Dixon under normal use and service. Its sole obligation under this warranty being limited to repairing or replacing, as hereinafter provided, at its option any product found to Dixon's satisfaction to be defective upon examination by it, provided that such product shall be returned for inspection to Dixon's factory within three (3) months after discovery of the defect. The repair or replacement of defective products will be made without charge for parts or labor. This warranty shall not apply to: (a) parts or products not manufactured by Dixon, the warranty of such items being limited to the actual warranty extended to Dixon by its supplier; (b) any product that has been subject to abuse, negligence, accident, or misapplication; (c) any product altered or repaired by others than Dixon; and (d) to normal maintenance services and the replacement of service items (such as washers, gaskets, and lubricants) made in connection with such services. To the extent permitted by law, this limited warranty shall extend only to the buyer and any other person reasonably expected to use or consume the goods who is injured in person by any breach of the warranty. No action may be brought against Dixon for an alleged breach of warranty unless such action is instituted within one (1) year from the date the cause of action accrues. This limited warranty shall be construed and enforced to the fullest extent allowable by applicable law.

Other than the obligation of Dixon set forth herein, Dixon disclaims all warranties, express or implied, including but not limited to any implied warranties of merchantability or fitness for a particular purpose, and any other obligation or liability. The foregoing constitutes Dixon's sole obligation with respect to damages, whether direct, incidental, or consequential, resulting from the use or performance of the product.

Some products and sizes may be discontinued when stock is depleted or may require a minimum quantity for ordering.

About This Catalog and Our Products

This catalog is intended as a product offering. It is not a user or technical manual. Information in this catalog is subject to change without notice. We may modify product design and specification without notice and without any obligation to modify or substitute products previously purchased. All users and distributors of products sold through this catalog are strongly encouraged to contact Dixon with questions on use, compatibilities, coupling procedures, and life of product. Our full-time engineering and test staff are always available to recommend uses and to assist distributors and users with questions.



Safety



Safety logos, which appear throughout our catalog, are used as a reminder that the user should carefully review for the appropriateness of the product for the media, application, and environment in which it will be used.

NOTE: Because of the health hazards associated with contamination and lead content in drinking water systems, Dixon couplings, unless otherwise specifically approved, are not recommended for potable water service and should not be used in applications where drinking water will contact the wetted surfaces of the coupling.

All Dixon products are shipped in cartons with the following warning:

"WARNING: This product contains lead, a chemical known to the State of California to cause cancer and birth defects or other reproductive harm."

Trademarks

Delrin® and Zytel® are registered trademarks of E.I. duPont Nemours and Company.

Kalrez® is a registered trademark of DuPont Dow Elastomers.

All other trademarks appearing in the Dixon illustrated price list are the property of their respective owners.

Copyright

Copyright © 2024 by Dixon Valve and Coupling, LLC

All rights reserved. This book is copyrighted material. Use, reproduction or copying of it by anyone other than Dixon® is strictly forbidden without its express written consent.

NOTE: Reasonable care has been taken in preparing this catalog. Dixon Valve & Coupling Company, LLC reserves the right to make corrections.

