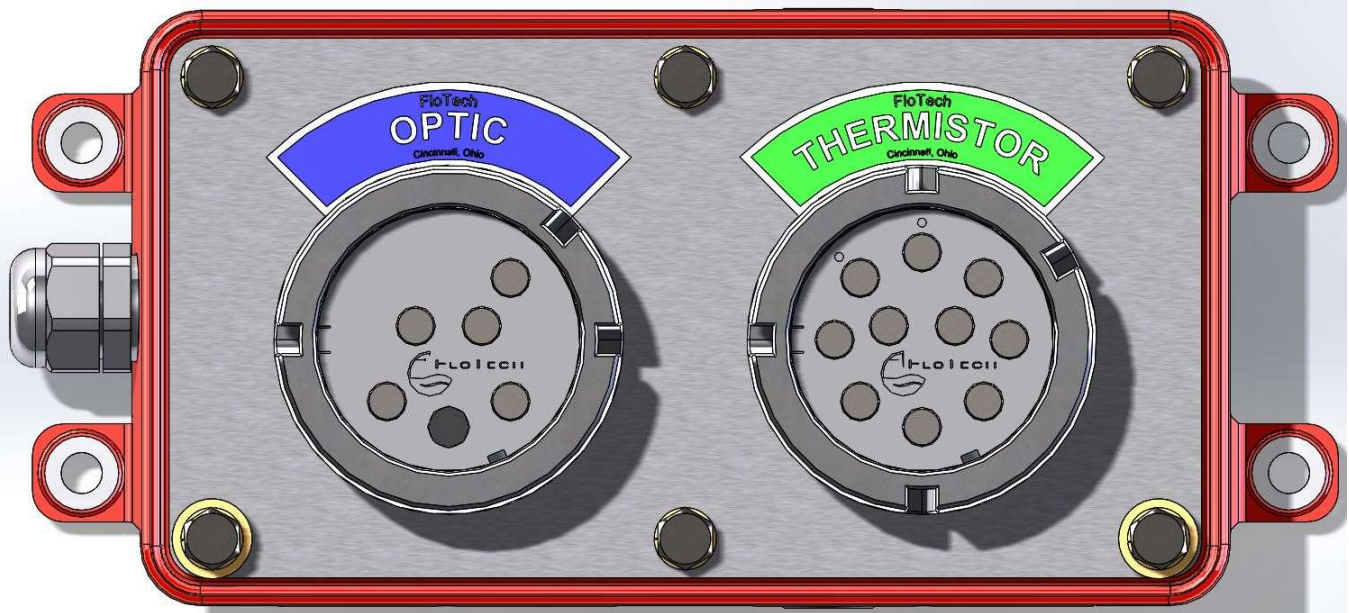


Maintenance & Operating Instructions

For
Dixon Bayco
FT390 & FT391 SERIES
EZ-CEPT DOUBLE SOCKETS



The Right Connection®

dixonvalve.com

FloTech sockets are mechanically and functionally compatible with API 1004 Cargo Tank Bottom Loading Recommended Practice.

INSTALLATION INSTRUCTIONS:

Sockets are to be mounted on the same side of the trailer as the bottom loading equipment. Sockets are normally located within 3 feet of the bottom loading adapters so the rack plug and cord will reach the socket without over stretching the cord. Use the socket body as a template to drill four 5/16" holes as shown in Diagram 1. Mount the socket body to the trailer using four 5/16" bolts and lock washers.

DIAGRAM 1

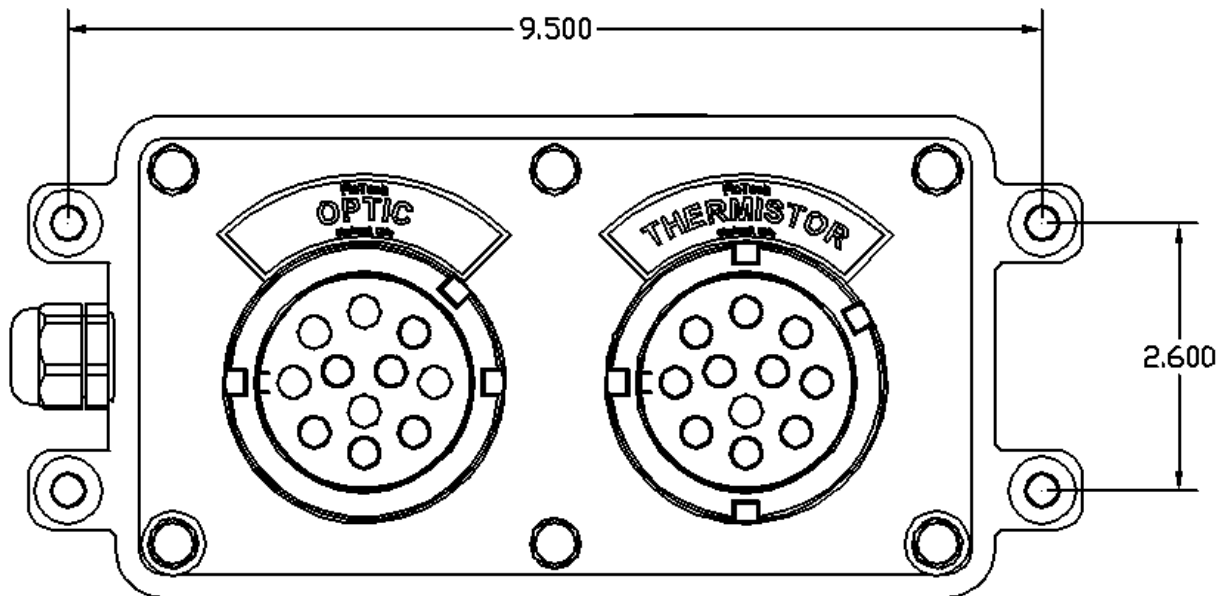
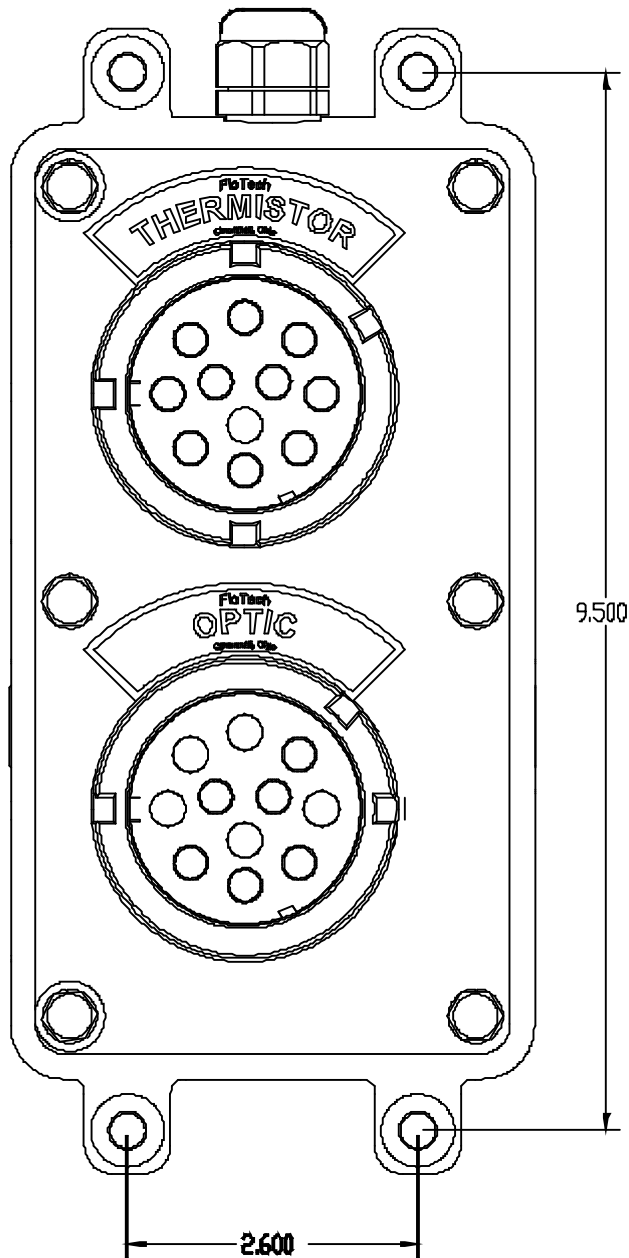


DIAGRAM 1V VERTICAL MOUNTING



WIRING INSTRUCTIONS:

Wire the sockets to the on-board monitor according to Diagram 2 below. Double-check your wiring connection when complete.

If you are connecting a FT390Pxx Plug & Play version, apply grease (supplied with each unit) to the plug. Connect the connector on the FT390Pxx to the connection on the Onboard Monitor; be sure to align the connector cut outs. The connector should plug together easily. DO NOT FORCE. Attach the White retaining clip to hold the connectors together.

PATENT PENDING

For Technical Assistance Call 877 582 3569

DIAGRAM 2

FRONT VIEW

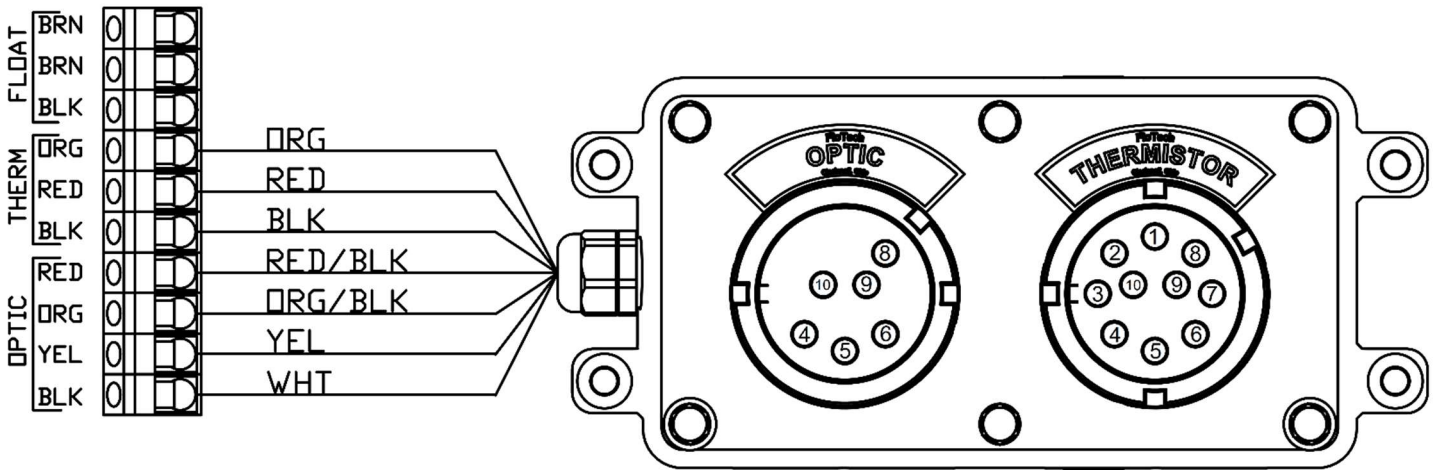
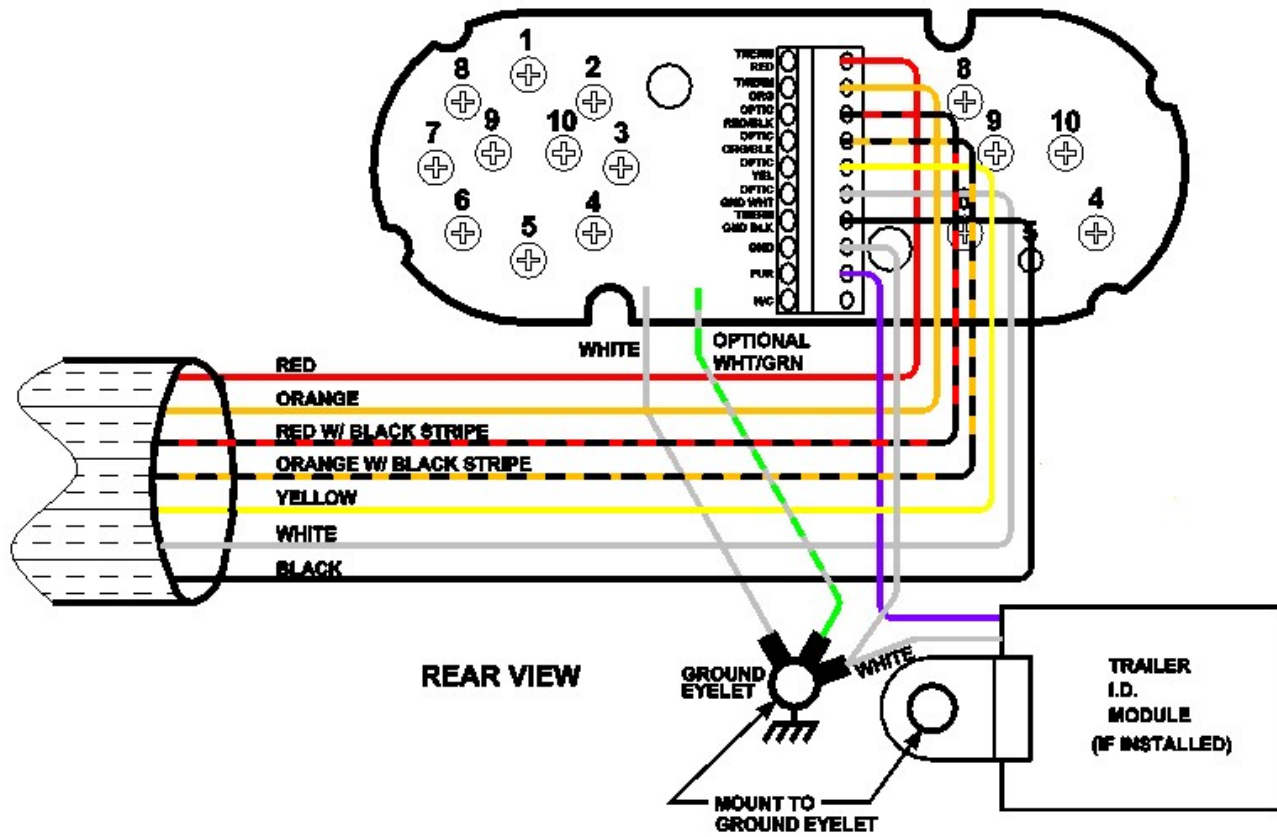


DIAGRAM 3



For Sales and Service Contact

Europe:
Dixon Group Europe Ltd.
Preston, England
Phone: +44 (0) 1772 323529
Fax: +44 (0) 1772 314664
Email: enquiries@dixoneurope.co.uk

Mexico:
Dixva, S. de R.L. de C.V.
Monterrey, N.L.
Phone: 01-800-00-DIXON (34966)
Fax: 01-81-8354-8197
E-mail: contactenos@dixonvalve.com.mx

Canada:
Dixon Group Canada Limited
Innisfil (Barrie), Ontario
Phone: 705-436-1125
Fax: 705-436-6251
Toll Free: 877-963-4966
E-mail: isales@dixongroupcanada.com

Asia Pacific:
Dixon (Asia Pacific) Pty Ltd Wingfield,
South Australia
Phone: +61 8 8202 6000
Fax: +61 8 8202 6099
E-mail: enquiries@dixonvalve.com.au

USA:
Dixon Bayco USA
Chestertown, Maryland
Phone: 410-778-2000
Fax: 410-778-4702
Toll Free: 800-355-1991
E-mail: dixonbayco@dixonvalve.com



The Right Connection®

dixonvalve.com