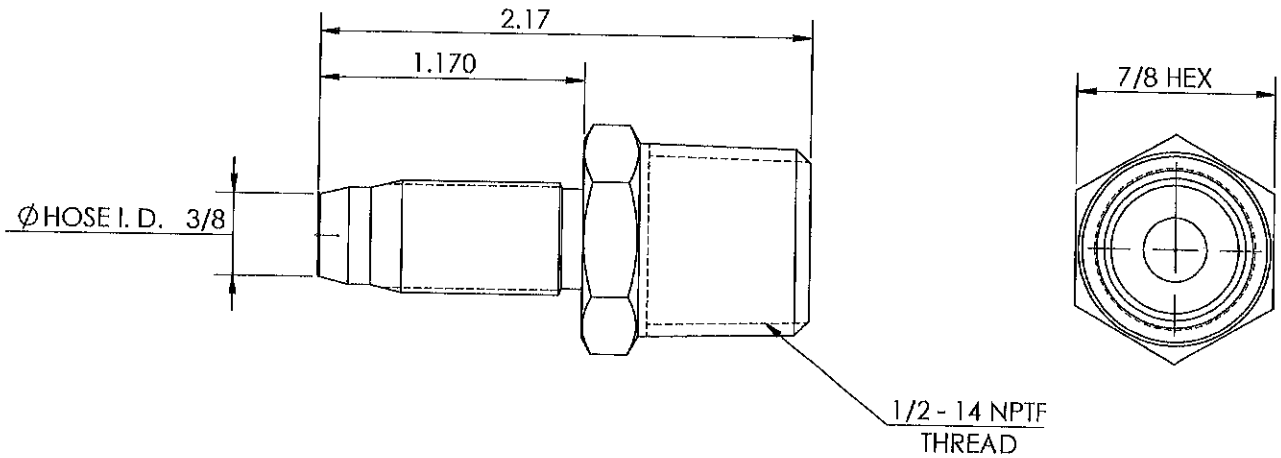
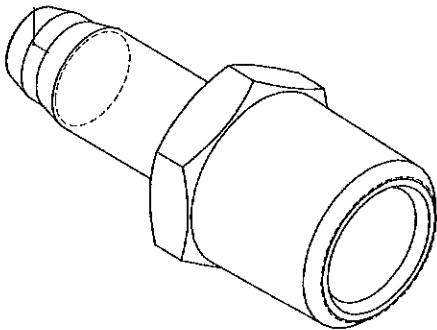
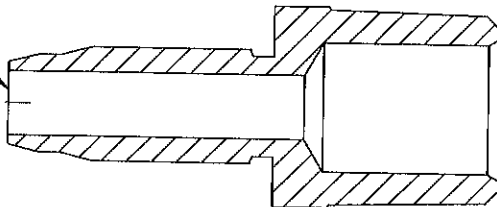



LINE DRAWING NOT FOR PRODUCTION PURPOSES

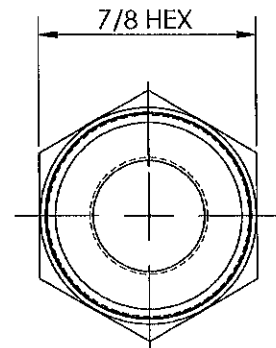
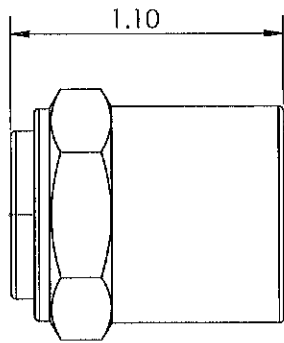


THRU HOLE DIA. .281

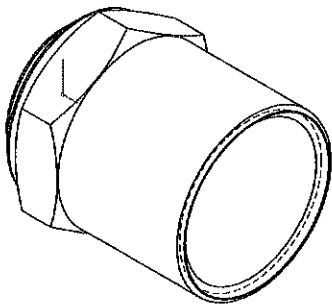
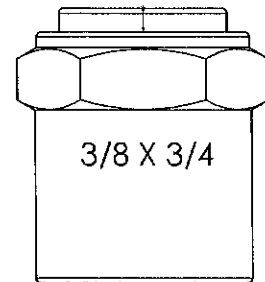
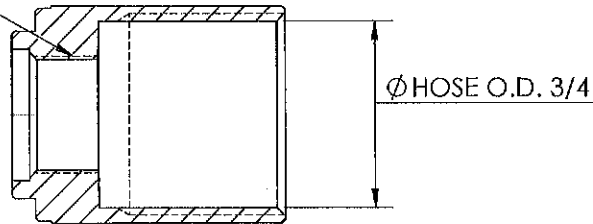



THIS DRAWING CONTAINS INFORMATION DERIVED PROPRIETARY TO DIXON BRASS AND IS SO TO BE USED ONLY FOR THE PURPOSE FOR WHICH IT IS SUBMITTED, AND FURTHER, SHALL NOT BE COPIED IN WHOLE OR IN PART WITHOUT EXPRESS WRITTEN PERMISSION FIRST OBTAINED FROM DIXON BRASS. UNLESS OTHERWISE SPECIFIED:				
DIMENSIONS ARE IN INCHES			<b>Dixon Brass</b> Westmont, Illinois USA	
TOLERANCES: ANGLES: ±0°30' .X (±.015) .XX (±.010) .XXX (±.005)			DRAWN P. MONAGHAN	DATE 4/28/15
DIMENSIONS PER ANSI Y14.5		APPROVED		DATE
		ECO NO.		
TITLE: REUSABLE MALE STEM			DRAWING NOT REPRODUCED TO SCALE	
		SIZE <b>A</b>	DWG. NO. 1820608S	REV B

LINE DRAWING NOT FOR PRODUCTION PURPOSES



1/2 - 20 UNF 2B  
HOSE I.D. 3/8



<small>THIS DRAWING CONTAINS INFORMATION DEEMED PROPRIETARY TO DIXON BRASS AND IS SO TO BE USED ONLY FOR THE PURPOSE FOR WHICH IT IS SUBMITTED, AND FURTHER, SHALL NOT BE COPIED IN WHOLE OR IN PART WITHOUT EXPRESS WRITTEN PERMISSION FIRST OBTAINED FROM DIXON BRASS.</small>			
<small>UNLESS OTHERWISE SPECIFIED:</small>		<small>DRAWN</small> 	<small>DATE</small> 10/9/14
<small>DIMENSIONS ARE IN INCHES</small>		<b>Dixon Brass</b> Westmont, Illinois USA	<small>APPROVED</small> DATE
<small>TOLERANCES:</small> ANGLES: ±0°30' .X (±.015) .XX (±.010) .XXX (±.005)		<small>ECD NO.</small>	<small>DRAWING NOT REPRODUCED TO SCALE</small>
<small>DIMENSIONS PER ANSI Y14.5</small>		<small>TITLE:</small> RE - USABLE FERRULE	<small>SIZE</small> A
		<small>DWG. NO.</small> 1800612F	<small>REV</small> B