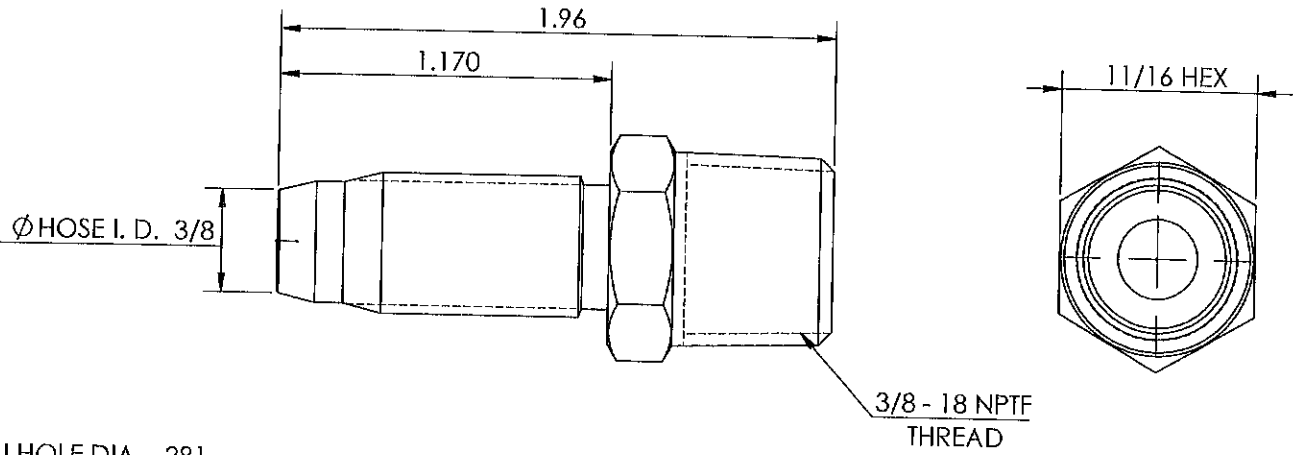
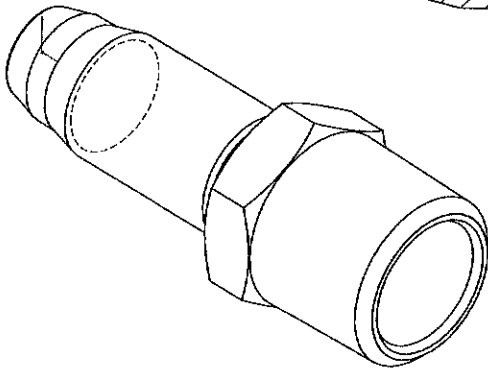
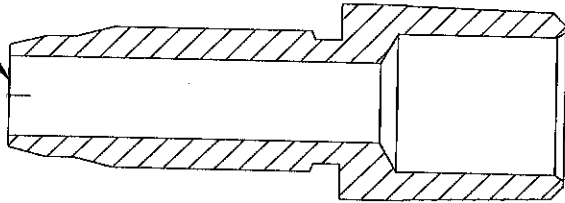



LINE DRAWING NOT FOR PRODUCTION PURPOSES

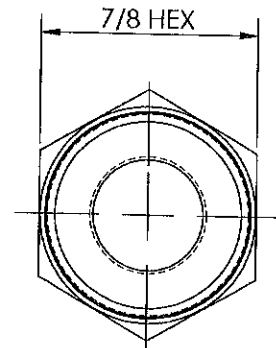
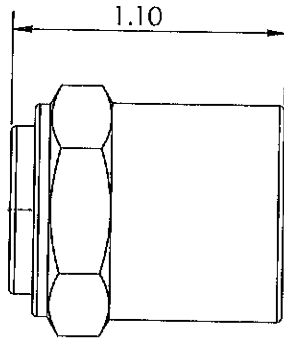


THRU HOLE DIA. .281

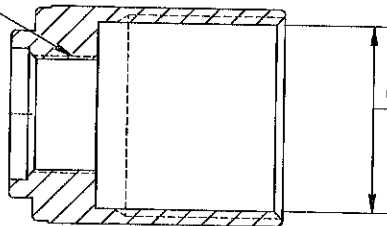


THIS DRAWING CONTAINS INFORMATION DEEMED PROPRIETARY TO DIXON BRASS AND IS SO TO BE USED ONLY FOR THE PURPOSE FOR WHICH IT IS SUBMITTED, AND FURTHER, SHALL NOT BE COPIED IN WHOLE OR IN PART WITHOUT EXPRESS WRITTEN PERMISSION FIRST OBTAINED FROM DIXON BRASS. UNLESS OTHERWISE SPECIFIED:			
DIMENSIONS ARE IN INCHES TOLERANCES: ANGLES: ±0°30' .X (±.015) .XX (±.010) .XXX (±.005) DIMENSIONS PER ANSI Y14.5	 The Flight Connection™	Dixon Brass Westmont, Illinois USA	
		DRAWN P. MONAGHAN APPROVED	DATE 4/28/15 DATE
TITLE: REUSABLE MALE STEM		DRAWING NOT REPRODUCED TO SCALE	
SIZE A	DWG. NO. 1820606S	REV D	

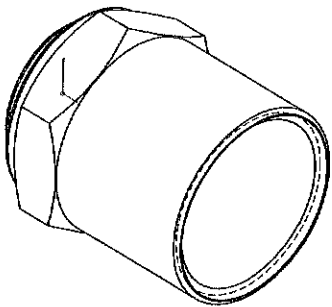
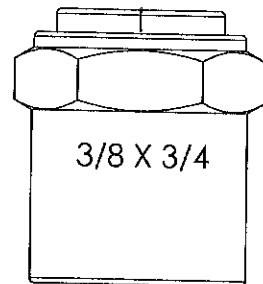
LINE DRAWING NOT FOR PRODUCTION PURPOSES




1/2 - 20 UNF 2B
HOSE I.D. 3/8



Ø HOSE O.D. 3/4



THIS DRAWING CONTAINS INFORMATION DEEMED PROPRIETARY TO DIXON BRASS AND IS SO TO BE USED ONLY FOR THE PURPOSE FOR WHICH IT IS SUBMITTED, AND FURTHER, SHALL NOT BE COPIED IN WHOLE OR IN PART WITHOUT EXPRESS WRITTEN PERMISSION FIRST OBTAINED FROM DIXON BRASS, UNLESS OTHERWISE SPECIFIED:			
DIMENSIONS ARE IN INCHES	 The Right Connector [®]	Dixon Brass Westmont, Illinois USA	
TOLERANCES: ANGLES: ±0°30' .X (±.015) .XX (±.010) .XXX (±.005)		DRAWN P. MONAGHAN APPROVED	DATE 10/9/14 DATE
DIMENSIONS PER ANSI Y14.5	TITLE: RE - USABLE FERRULE	ECO NO.	DRAWING NOT REPRODUCED TO SCALE
	SIZE A	DWG. NO. 1800612F	REV B