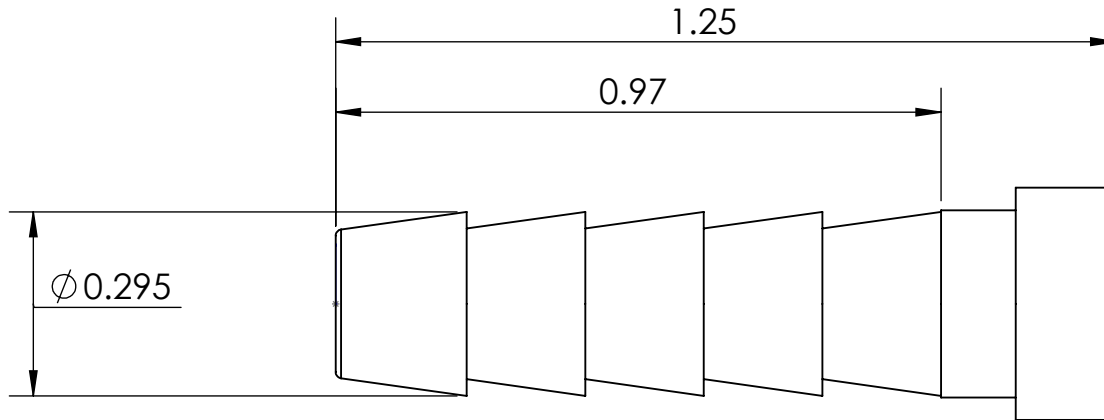
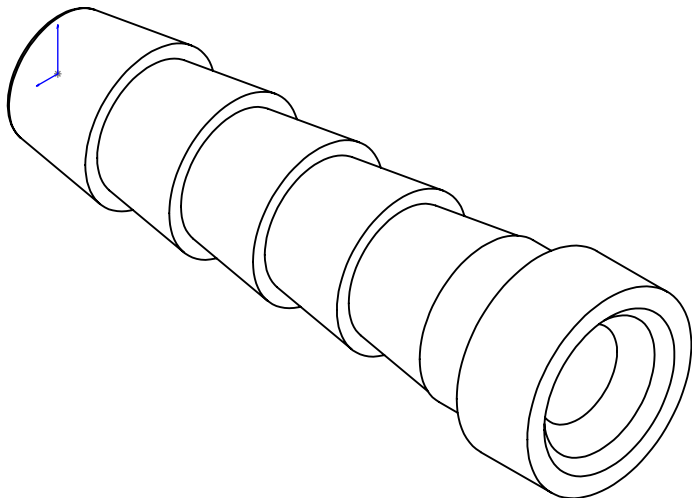
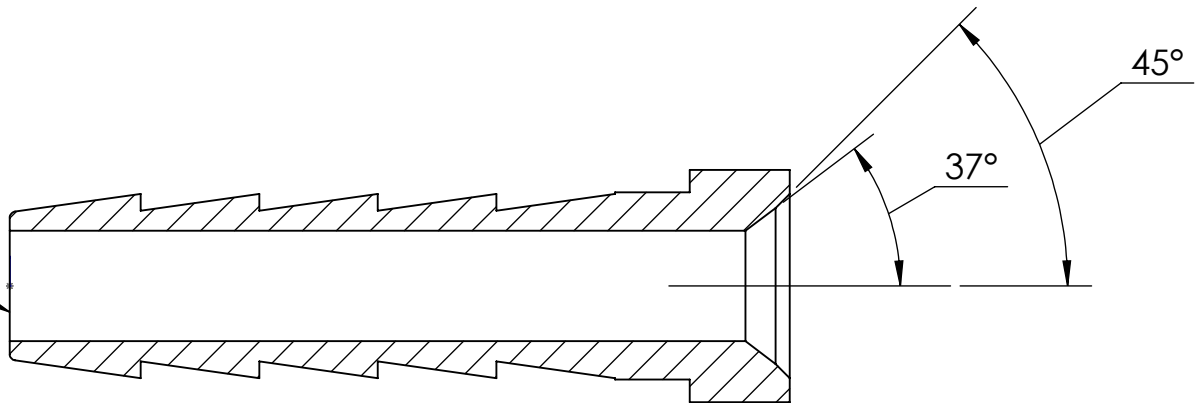



LINE DRAWING NOT FOR PRODUCTION PURPOSES



THRU HOLE DIA. .177



THIS DRAWING CONTAINS INFORMATION DEEMED PROPRIETARY TO DIXON BRASS AND IS SO TO BE USED ONLY FOR THE PURPOSE FOR WHICH IT IS SUBMITTED, AND FURTHER, SHALL NOT BE COPIED IN WHOLE OR IN PART WITHOUT EXPRESS WRITTEN PERMISSION FIRST OBTAINED FROM DIXON BRASS.			
UNLESS OTHERWISE SPECIFIED:		 <b>Dixon Brass</b> Westmont, Illinois USA	DRAWN P. MONAGHAN DATE 3/10/13
DIMENSIONS ARE IN INCHES  TOLERANCES: ANGLES: $\pm 0^{\circ}30'$ .X ( $\pm .015$ ) .XX ( $\pm .010$ ) .XXX ( $\pm .005$ )  DIMENSIONS PER ANSI Y14.5			APPROVED  DATE
			ECO NO.  DATE
		TITLE: FEMALE SWIVEL STEM DUAL ANGLE SEAT	DRAWING NOT REPRODUCED TO SCALE SIZE DWG. NO. 1430407S REV G