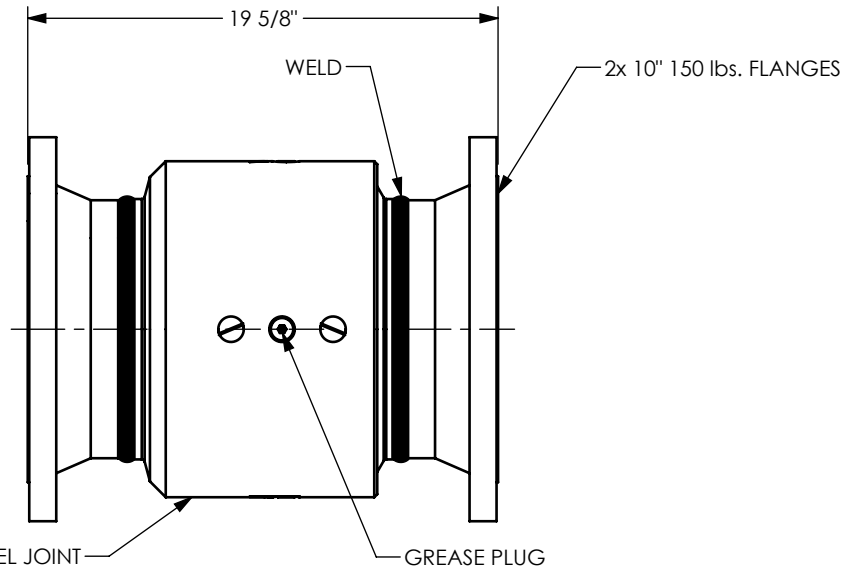
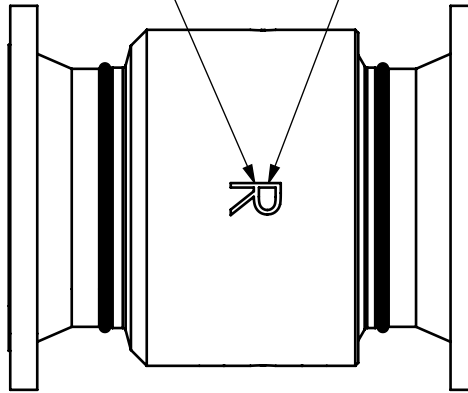


NOT TO SCALE.
FOR VISUAL REPRESENTATION ONLY

2x LOCATED 180° APART AS SHOWN



INTERNAL SEAL FLIPPED FOR USE IN A SUCTION APPLICATION



PRESSURE SEAL: NITRILE RUBBER
DUST SEAL: NITRILE RUBBER
RETAINER: PTFE RETAINER
BALL BEARINGS: CARBON STEEL
GREASE: STANDARD LITHIUM GREASE

PROPRIETARY AND CONFIDENTIAL

This drawing is owned by Dixon Valve & Coupling Co. and shall be returned upon demand. It is loaned on condition that it shall not be copied or reproduced or submitted to others without the owners consent. In accepting it subject to this condition the recipient further agrees that this drawing or any design detail or concept disclosed herein shall not be used in any way detrimental to or in competition with the owner. If the recipient does not agree to the terms of this agreement they shall return this drawing immediately. The information contained in this drawing is subject to change without notice.

DO NOT SCALE THIS DRAWING

DIXON  **U.S.A.**

THE RIGHT CONNECTION™

TITLE: 10" STYLE 20 V-RING SWIVEL W/ 150 lbs. FLANGES -SPECIAL SEAL FLIPPED FOR SUCTION & 'R' PAINTED BOTH SIDES

MATERIAL: CARBON STEEL

PART NUMBER: **1020FGFGCSX0034**