

Series 1 FRLs

F17, F18-Series Jumbo Airline Filters

Features

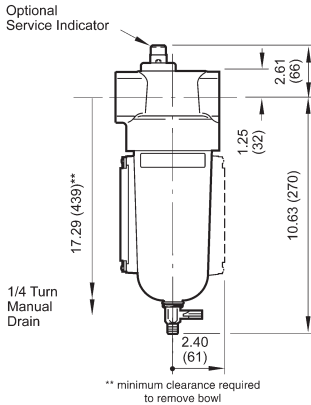
- General purpose with low pressure drop and excellent water removal characteristics
- 40 micron element
- 1 qt. reservoir

Specifications

- Inlet pressure:
 - metal bowl: max pressure **250 PSIG (17 bar)** and temperature range **-30°F to 175°F (-34°C to 80°C)**

Metal Bowl and Sight Glass

Port Size	Flow (SCFM)	Automatic Drain Part #	Manual Drain Part #
3/4"	325	F17-600A	F17-600M
1"	425	F17-800A	F17-800M
1-1/4"	425	F17-A00A	F17-A00M
1-1/2"	425	F17-B00A	F17-B00M



Features

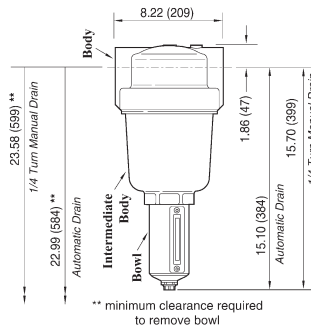
- 40 micron element
- Quick-release bayonet bowl
- Prismatic lens liquid level indicator
- 7 oz. reservoir

Specifications

- Inlet pressure: max pressure **250 PSIG (17 bar)** and temperature range **-30°F to 175°F (-34°C to 80°C)**

Metal Bowl and Sight Glass

Port Size	Flow (SCFM)	Automatic Drain Part #	Manual Drain Part #
2"	1400	F18-C00A	F18-C00M



F74-Series Oil Removal Filters

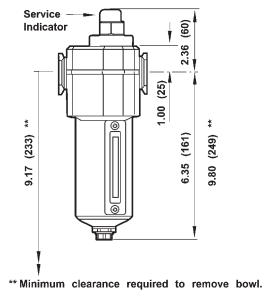
Features

- Provides air quality class 2 hydrocarbon and class 1 particulate removal per ISO 8573-1
- Element removes particles down to 0.01 mm. Maximum remaining oil content of air leaving the filter is 0.01 ppm at 70°F (21°C) with an inlet concentration of 8 ppm
- For maximum service life install a general purpose filter upstream of the oil removal filter
- Service life indicator turns from green to red when element needs to be replaced
- In-line or modular installation
- Quick-release bayonet bowl
- Prismatic lens liquid level indicator


Specifications

- Inlet pressure: **250 PSIG (17 bar)** and temperature range **-30°F to 150°F (-34°C to 65°C)**

Port Size	Flow (SCFM) Saturated	SCFM Dry	Automatic Drain Part #
3/8"	35	70	F74C-3A-MB
1/2"	35	75	F74C-4A-MB
1/2"	60	100	F74H-4A-MB
3/4"	60	120	F74H-6A-MB



NOTE: See pages 343-348 for accessories.

FRLs are designed for air service only, unless otherwise indicated. 

SCFM ratings at 90 PSIG inlet pressure.