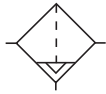


Particulate Filter F35

= "Most Popular"



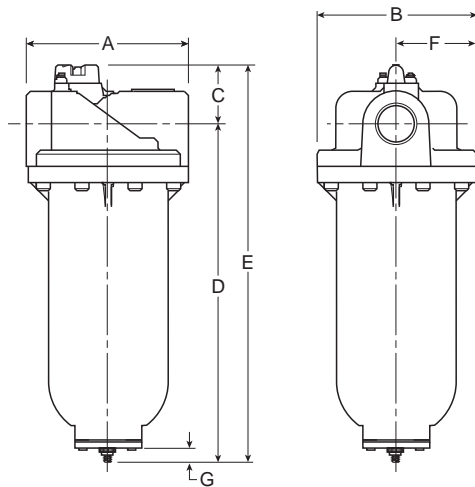
Auto Drain



F35-0B-000

Features

- Heavy-duty Cast Aluminum Housings to Withstand Operating Pressures Up to 250 PSIG*
- Differential Pressure Indicator to Eliminate the Guesswork of Element Replacement
- Differential pressure gauge available, order separately, Kit DP3-01-000
- Unique Drain Mounting Plate Design Offers a Trouble-free Method for Interchanging and Installing External Drains



NOTE: Automatic internal float drain shown is included on F35 filters with F00 suffix only. Models with 000 suffix include drain plate with tapped 1/2 NPT / BSPP-G drain port.

Dimensions

Models	Inches (mm)	A	B	C	D	E	F	G
Standard Unit F35-XX-000		7.80 (198)	7.75 (197)	2.81 (71)	16.24 (412.5)	19.07 (484)	3.88 (98.6)	.55 (14)
Automatic Drain F35-XX-F00		7.80 (198)	7.75 (197)	2.81 (71)	15.69 (398.5)	18.52 (470)	3.88 (98.6)	.55 (14)

Specifications

Flow Capacity*	1-1/2	1280 SCFM (604 dm ³ /s)
	2	1400 SCFM (660 dm ³ /s)
Maximum Supply Pressure	without DPI and with Pressure Gauge	250 PSIG (17.2 bar)†
	with DPI	150 PSIG (10.3 bar)
Operating Temperature	32° to 150°F (0° to 65.5°C)	
Port Size	NPT / BSPP-G	1-1/4, 1-1/2, 2
Bowl Capacity	12.5 oz	
Standard Filtration	5 Micron	
Weight	19.3 lb. (8.7 kg)	

* Inlet pressure 150 PSIG (10.3 bar). Pressure drop of 5 PSID (0.3 bar).

** Without pressure indicator – Max. supply pressure is 250 PSIG (17.2 bar).

“F” Series Filters, Type “A” 5 micron elements: All Wilkerson Type “A” 5 micron elements **meet or exceed ISO Class 3** for maximum particle size and concentration of solid contaminants.

Materials of Construction

Baffle	Plated Steel
Body	Aluminum
Bowls	Aluminum
Deflector	Plated Steel
Element Retainer	Plated Steel
Filter Element	Polyethylene
Seals	Fluorocarbon
Stud	Plated Steel

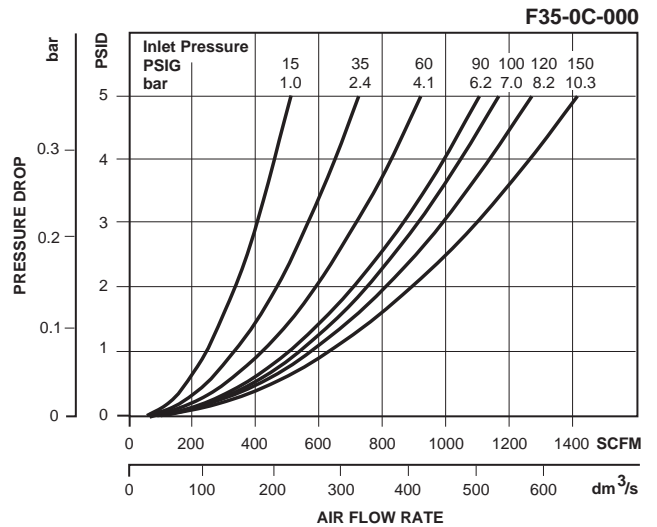
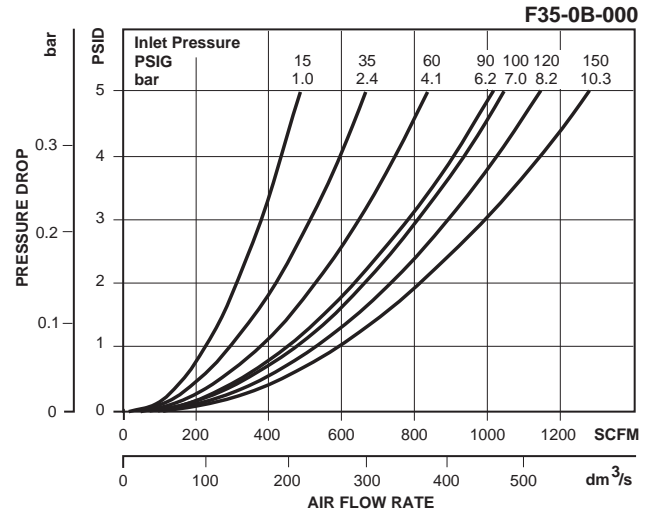
= "Most Popular"

Replacement Element Kit

Element, F35, 5 Micron, Fluorocarbon O-rings.....FRP-95-505

Accessories

- Cap, Differential Pressure Indicator –
For pressures over 150 PSIG..... GRP-95-022
- Drain, Automatic, Internal, Fluorocarbon,
1/8 NPT GRP-95-981
- Drain Plate Kit –
1/2 NPT tapped drain port GRP-95-393
5/16 Dia. Drain Port,
For use with Internal Auto Drain GRP-95-391
- Gauge, Differential Pressure DP3-01-000
- Indicator, Differential Pressure..... DP2-02-001
- Manual Drain Kit
Includes 1/2" Drain Plate, Manual Drain..... GRP-95-392
- Manual Override for Auto Float Drain –
GRP-05-981 Required GRP-96-001



B
Filters, Regulators, Lubricators

Ordering Information

Model Type	Port Size	Metal Bowl	
Manual Drain	1-1/2	F35-0B-000	(Includes 1/2 NPT / BSPP-G Drain Plate)
	2	F35-0C-000	
Automatic Drain	1-1/2	F35-0B-F00	
	2	F35-0C-F00	

Options - To order an option supplied with the unit model, add the appropriate coded suffix letter in the designated position of the model number.