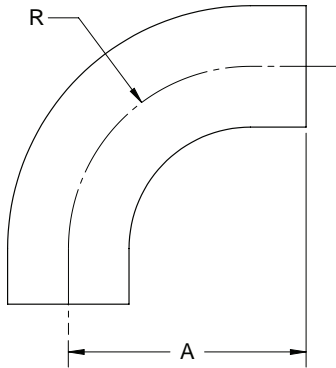


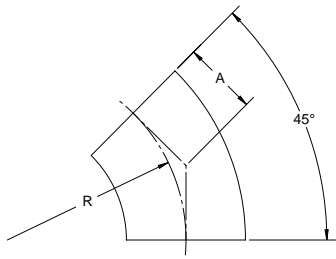
Vacuum Fittings

Weld 90° Elbows with Tangents



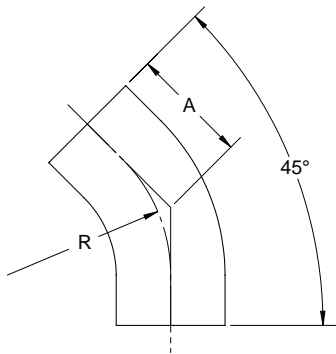
O.D.	A	R	304 Stainless Steel Part #
3/4"	1.42	1.00	DVF-C075G1R
1"	1.82	1.50	DVF-C100G1R
1-1/2"	2.94	2.25	DVF-C150G1R
2"	4.06	3.00	DVF-C200G1R
2-1/2"	5.19	3.75	DVF-C250G1R
3"	6.31	4.50	DVF-C300G1R
4"	8.31	6.00	DVF-C400G1R
6"	11.50	9.00	DVF-C600G1R

Weld 45° Elbows



O.D.	A (in)	R (in)	304 Stainless Steel Part #
1/2"	0.31	0.75	DVF-C050G1S
3/4"	0.41	1.00	DVF-C075G1S
1"	0.62	1.50	DVF-C100G1S
1-1/2"	0.93	2.25	DVF-C150G1S
2"	1.25	3.00	DVF-C200G1S
2-1/2"	1.53	3.75	DVF-C250G1S
3"	1.84	4.50	DVF-C300G1S
4"	2.50	6.00	DVF-C400G1S
6"	3.73	9.00	DVF-C600G1S

Weld 45° Elbows with Tangents



O.D.	A (in)	R (in)	304 Stainless Steel Part #
3/4"	0.76	1.00	DVF-C075G1T
1"	1.19	1.50	DVF-C100G1T
1-1/2"	1.63	2.25	DVF-C150G1T
2"	2.31	3.00	DVF-C200G1T
2-1/2"	3.00	3.75	DVF-C250G1T
3"	3.68	4.50	DVF-C300G1T
4"	4.81	6.00	DVF-C400G1T
6"	7.33	9.00	DVF-C600G1T

M